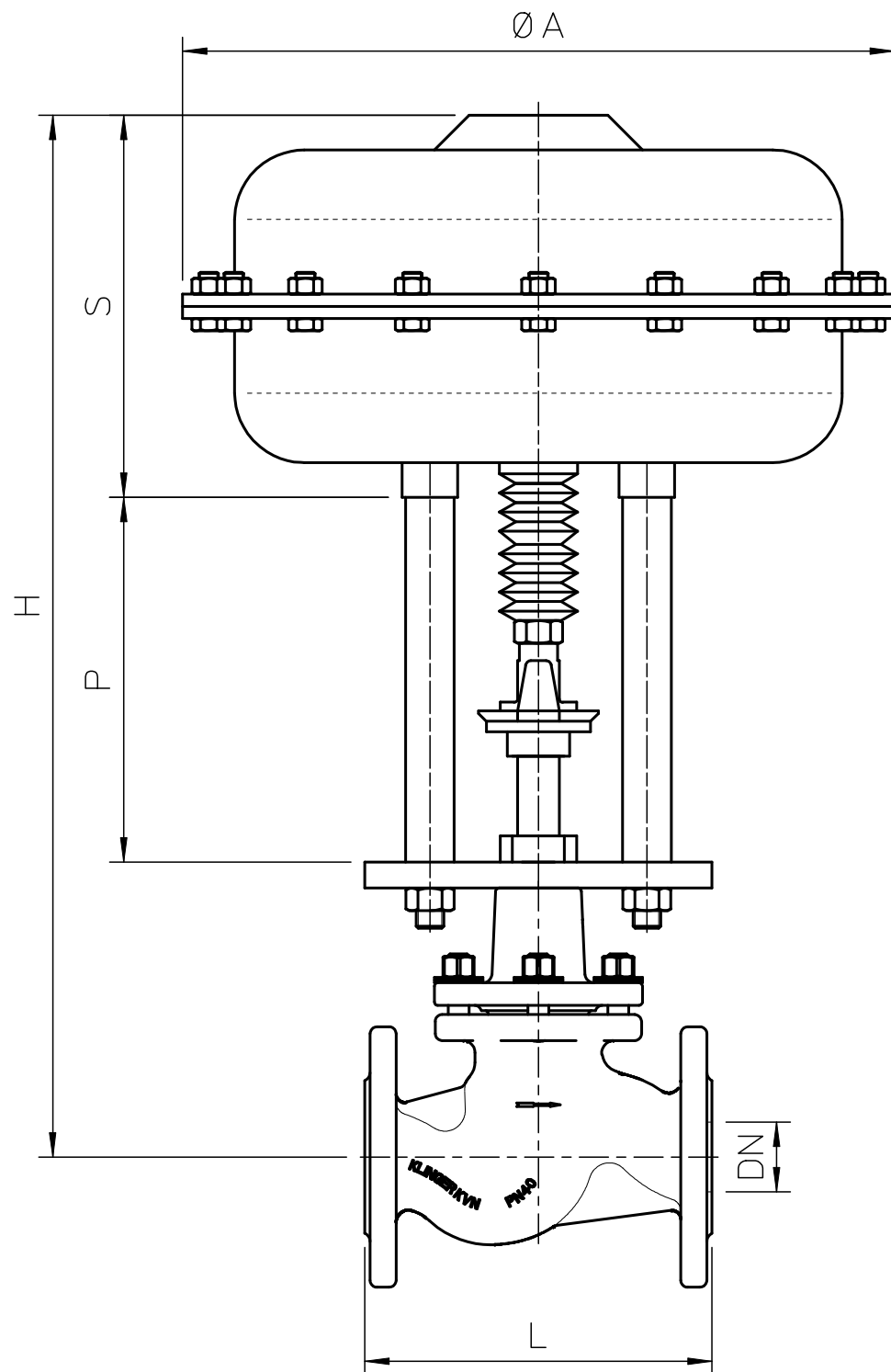


KLINGER MATIC Pistonvalve type KVN 15-50 with pneumatic actuator SART



single action, spring close

DN	actuator	L	H	ØA	S	P
15	PA35 B6 6G Po	130	428	210	125	200
20	PA35 B6 4S Po	150	439	210	125	200
25	PA35 B6 6S Po	160	446	210	125	200
32	PA60 A6 5S Po	180	495	310	153	200
40	MA41 B6 8S Po	200	625	410	242	210
50	MA41 B6 12S Po	230	644	410	242	210

single action, spring open

DN	actuator	L	H	ØA	S	P
15	PA35 B6 3G Ps	130	428	210	125	200
20	PA35 B6 3G Ps	150	439	210	125	200
25	PA35 B6 3G Ps	160	446	210	125	200
32	PA35 B6 3G Ps	180	467	210	125	200
40	PA60 C6 3G Ps	200	556	310	173	210
50	PA60 C6 3G Ps	230	575	310	173	210

double acting

DN	actuator	L	H	ØA	S	P
15	PA35 A6 Pos	130	443	210	125	215
20	PA35 A6 Pos	150	458	210	125	215
25	PA35 A6 Pos	160	461	210	125	215
32	PA35 A6 Pos	180	482	210	125	215
40	PA35 A6 Pos	200	508	210	125	210
50	MA31 A6 Pos	230	527	210	125	210

drw.: 21.11.11 SA

wOV3462-1